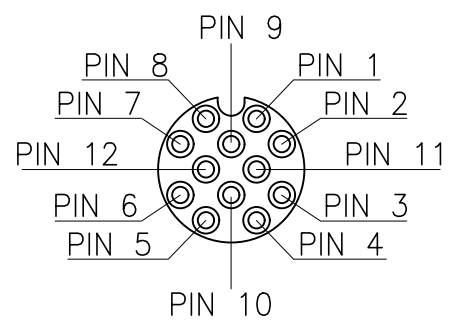
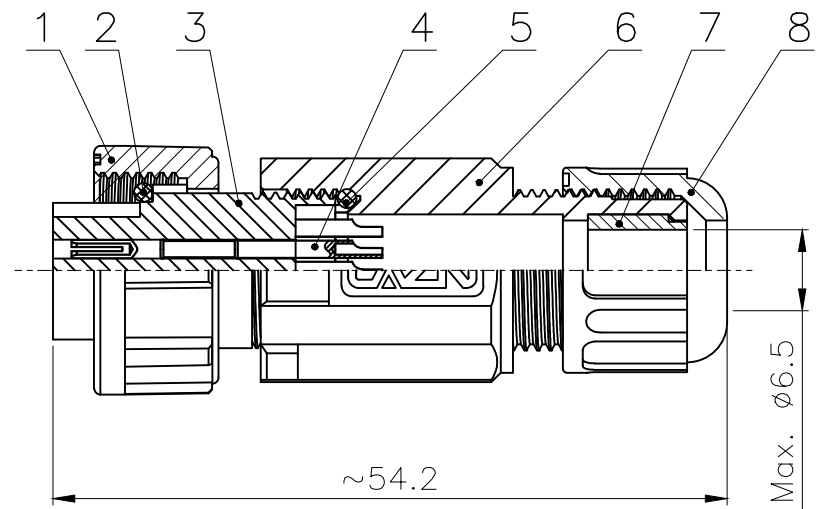
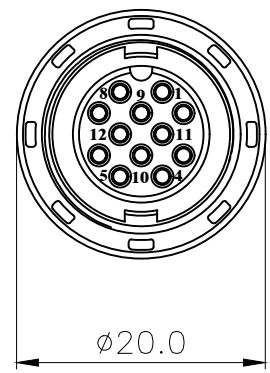


Rev.	Change Description	ECN #	Date



VIEW A

8	Line lock nut	Nylon	/	pc	1
7	Assembled waterproof rubber plug	silica gel	/	pc	1
6	E10 Plug type body	Nylon	/	pc	1
5	Waterproof sealing O-ring	NBR	/	pc	1
4	E type Female contact pin	Phosphor Copper	Gold plated	pc	12
3	E10 Hole type socket shell (12 core)	Nylon	/	pc	1
2	E10 Insulator O ring $\phi 12 \times \phi 9 \times 1.5$	NBR	/	pc	1
1	E10 Thread type Connecting nut	Nylon	/	pc	1
No.	Specification	Material	Treat	Unit	Q'ty

Technical specifications:		Materials:	
Coupling:	Threaded connection	Shell material:	PA66+GF UL94 black
Termination:	Soldering	Contact material:	Phosphor Copper Gold plated
Pollution degree:	3	Insert material:	PA66+GF UL94 black
Temperature range:	-45°C ~ +105°C	Sealing:	NBR
Degree of protection:	IP67		
Mating cycles:	≥500		
Rated voltage:	30V AC/DC		
Rated current:	2A		

All parts are RoHS compliant

GENERAL TOLERANCE (UNLESS SPECIFIED)	DWN	DATE	
	LL	2022.8.15	
≤10 ±0.1	CHK	DATE	TITLE E10 Straight Female Field Installable Plug (12 core)
<10~≤20 ±0.2	APVD	DATE	
<20~≤50 ±0.5	UNIT	REV	PART NO
Angle ±1°	MM	A	E10001-12A000000
	SIZE	SHEET	DRAWING NO
THIRD ANGLE	A4	1 OF 1	E10P-TA1-S12